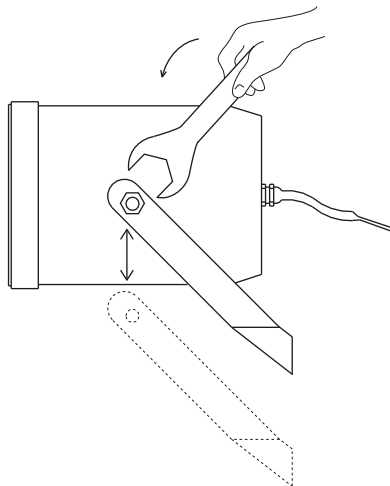
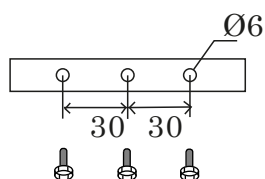


INSTALLATION MANUAL

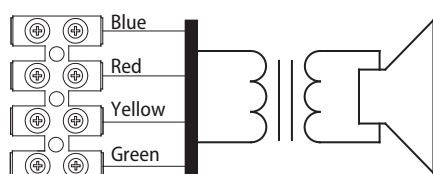
- ① Remove mounting bracket from loudspeaker.



- ② Fix mounting bracket on the flat surface.



- ③ Connect speaker to signal line via block terminal.



COLOR	SP 10
Blue	COM
Red	10 W
Yellow	5 W
Green	2.5 W

- ④ Place loudspeaker in mounting bracket and set necessary corner.

